

**AN ROINN TALMHAÍOCHTA, BIA AGUS MARA**  
**DEPARTMENT OF AGRICULTURE, FOOD AND THE MARINE**

**Accepted Safety Grid for Use under Translucent Sheets**

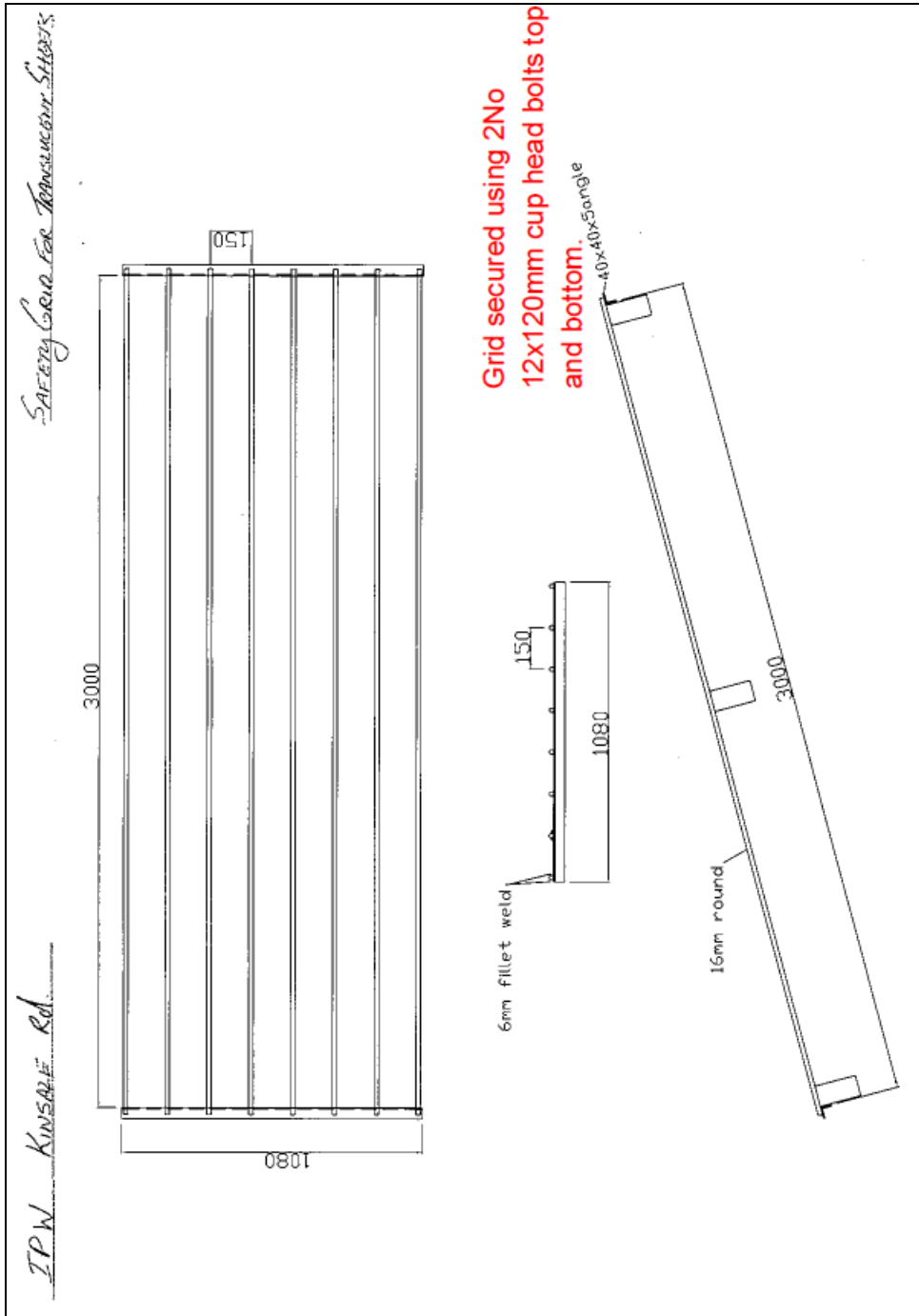
This list details all the companies that are accepted as producing accepted safety grids for use under translucent sheets as required in S.101C and clause 14 of S.101, for grant-aid. The units will still be subject to a final inspection before grant-aid is paid and all elements are to be supplied as detailed within this specification.

If a company which is not on this list wishes to be included, it should send the fully details of their proposed safety grid to: Engineering Unit, Nitrates, Biodiversity and Engineering Division, Pavilion A, Grattan Business Centre, Dublin Road, Portlaoise, Co. Laois, Ireland.

**Supplier:** Dairygold Co-Op, Coachford, Co. Cork

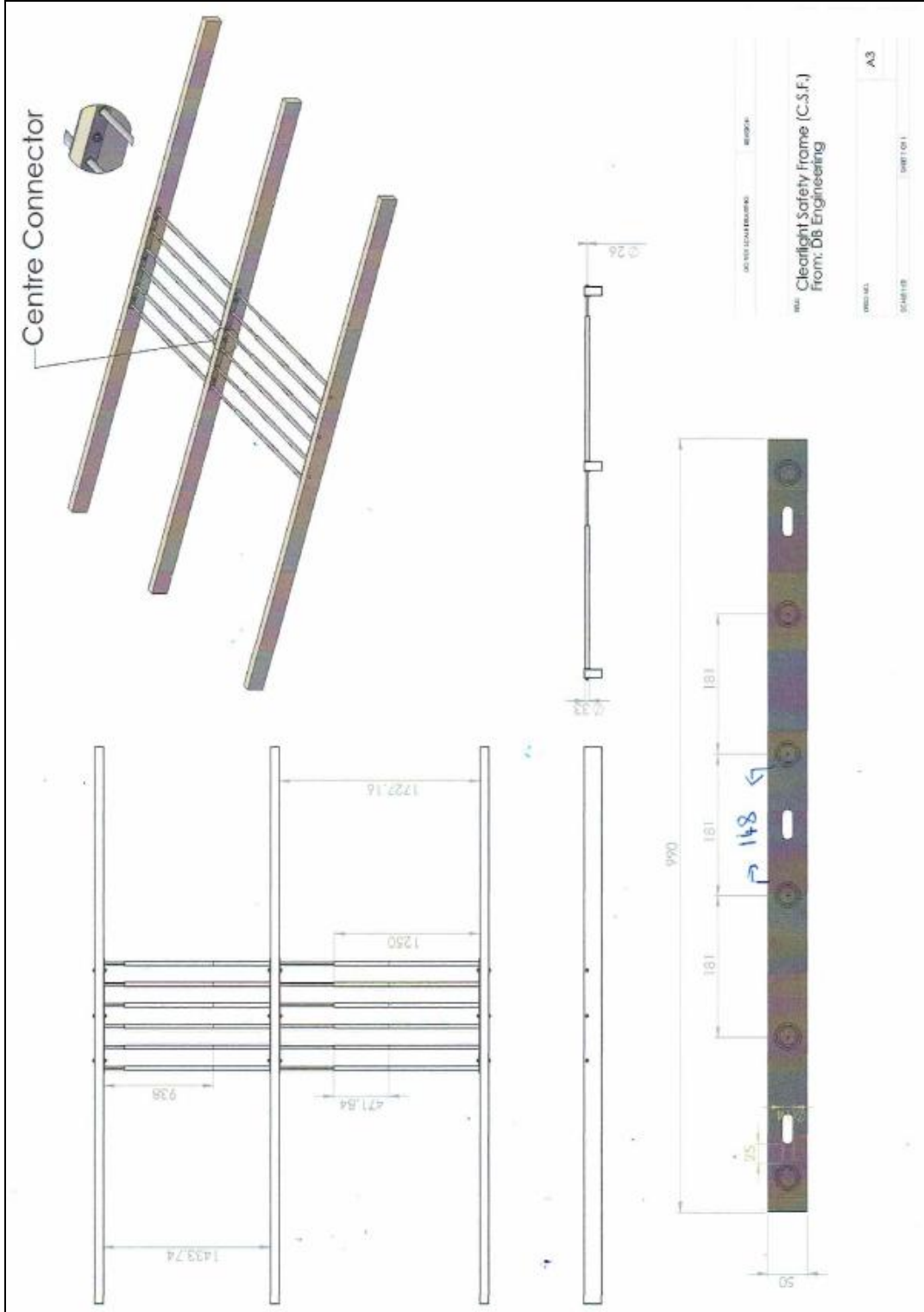
**Manufacturer:**

The unit is to be fully galvanised. Exact, spacing and length will vary slightly to fit purlin spacing and exact corrugation of sheeting.



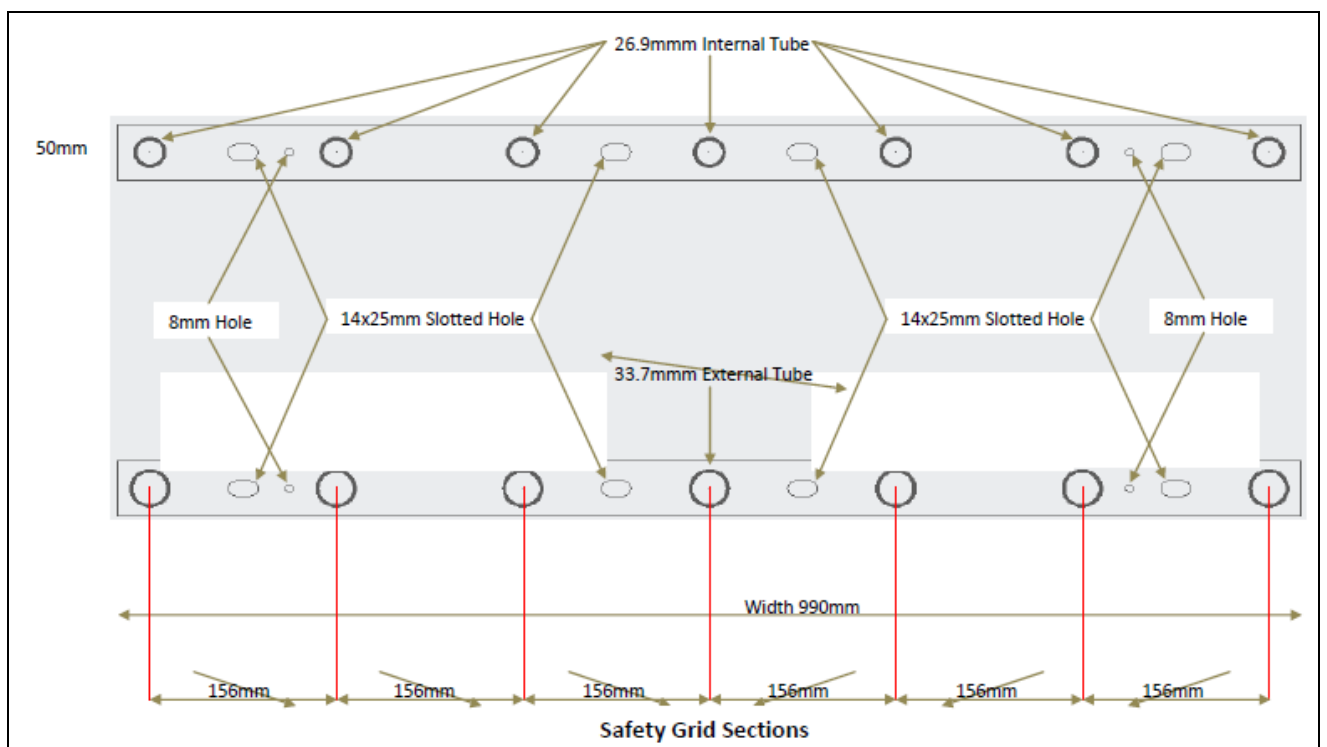
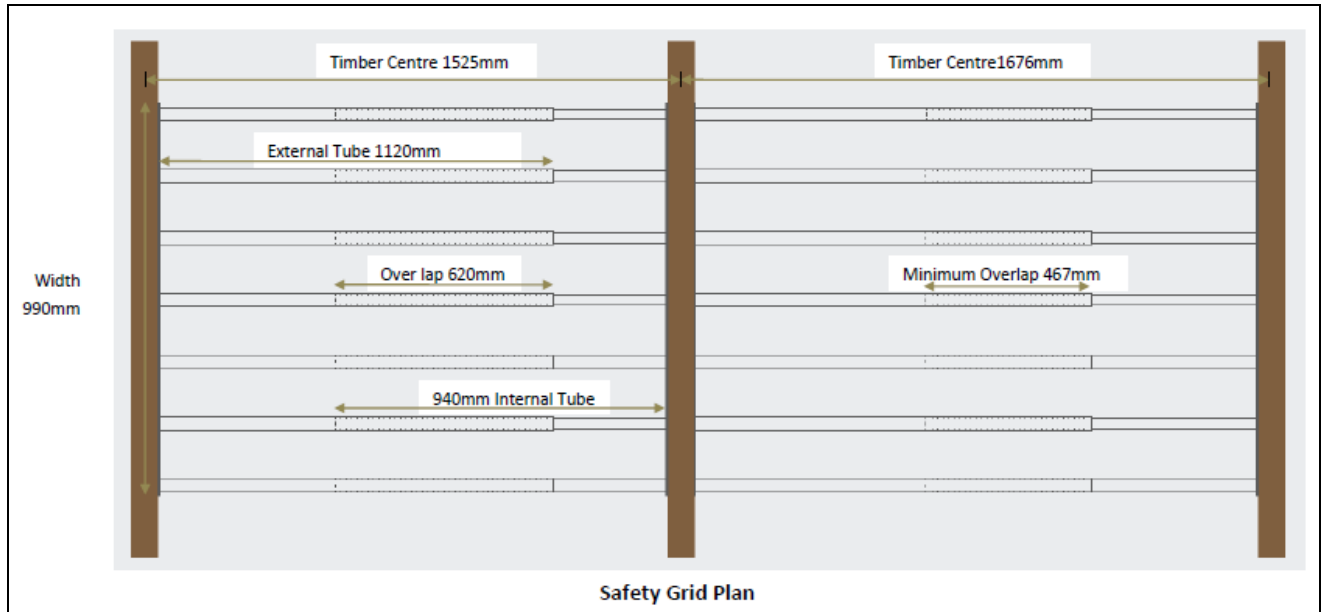
**Manufacturer:** AG1 Safety Frame. DB Engineering Ltd., Collegehill, Templemore, Co. Tipperary.

The unit is to be fully galvanised. *Grids secured using 3 No 20mm bolts fully through purlins.*

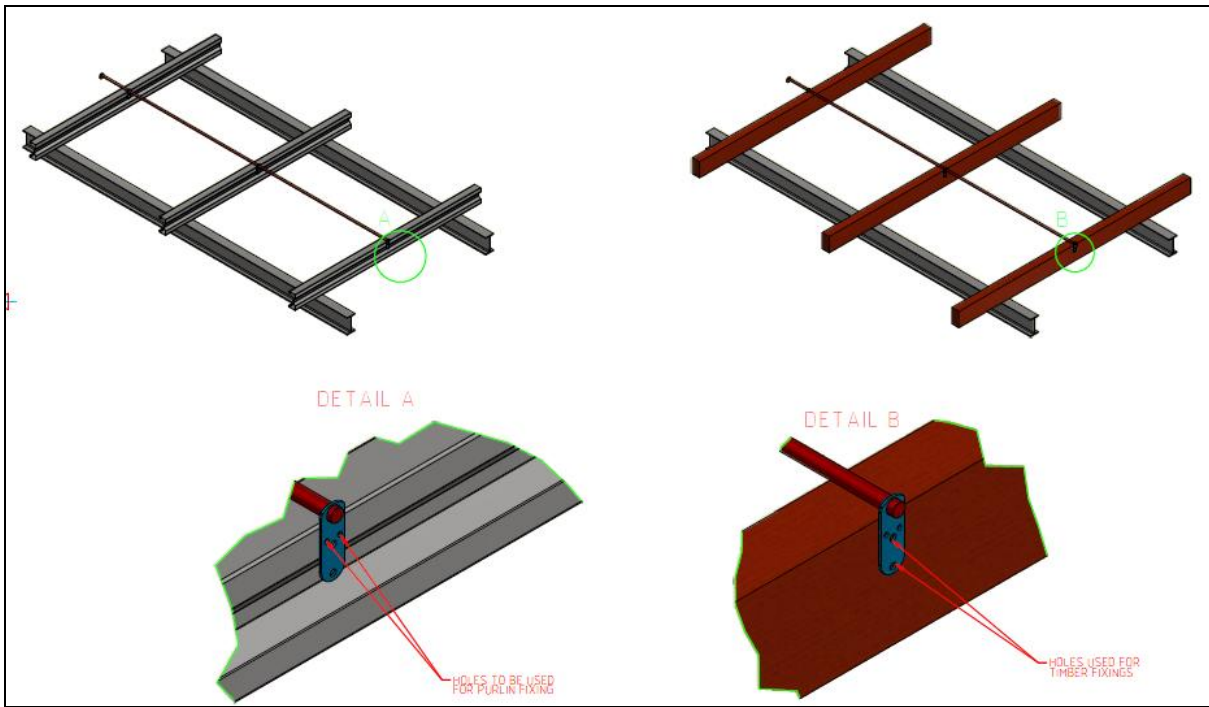
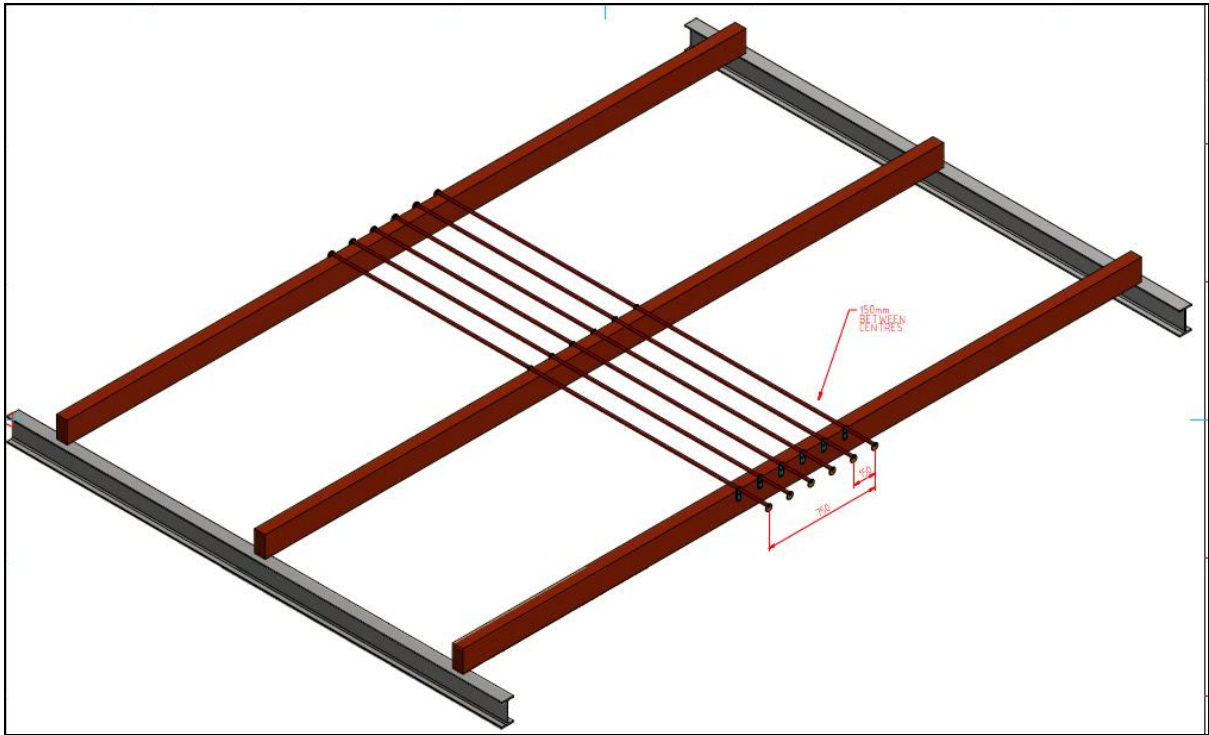


**Manufacturer:** DG Roofing Ltd, Williamstown, Co. Galway

The unit is to be fully galvanized. The unit is to be secured using 4No M12 x 100mm 8.8 grade galvanized bolts at each purlin.

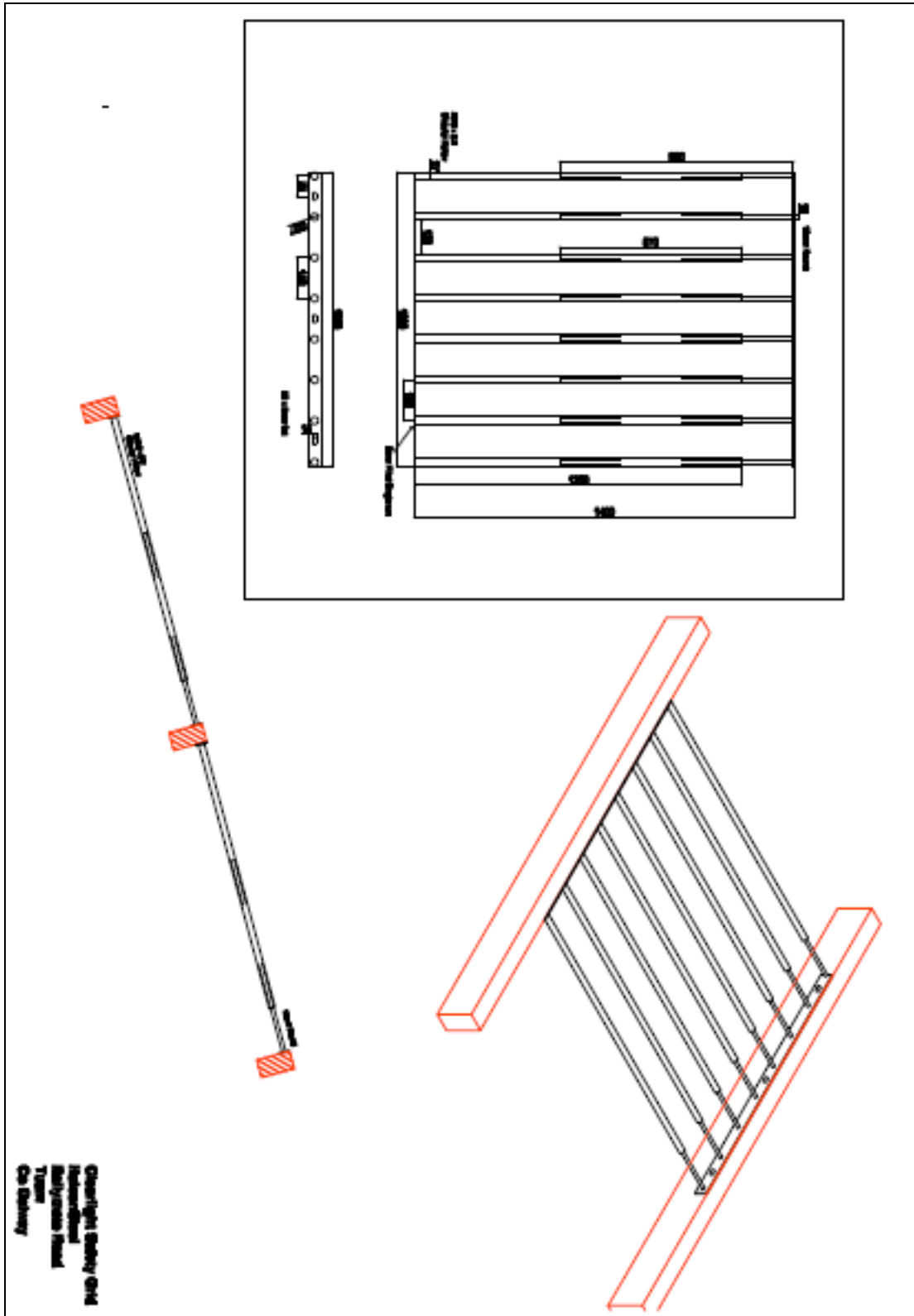


**Manufacturer:** Gleeson Steel & Engineering Ltd, Gortnahoe, Thurles, Co. Tipperary.



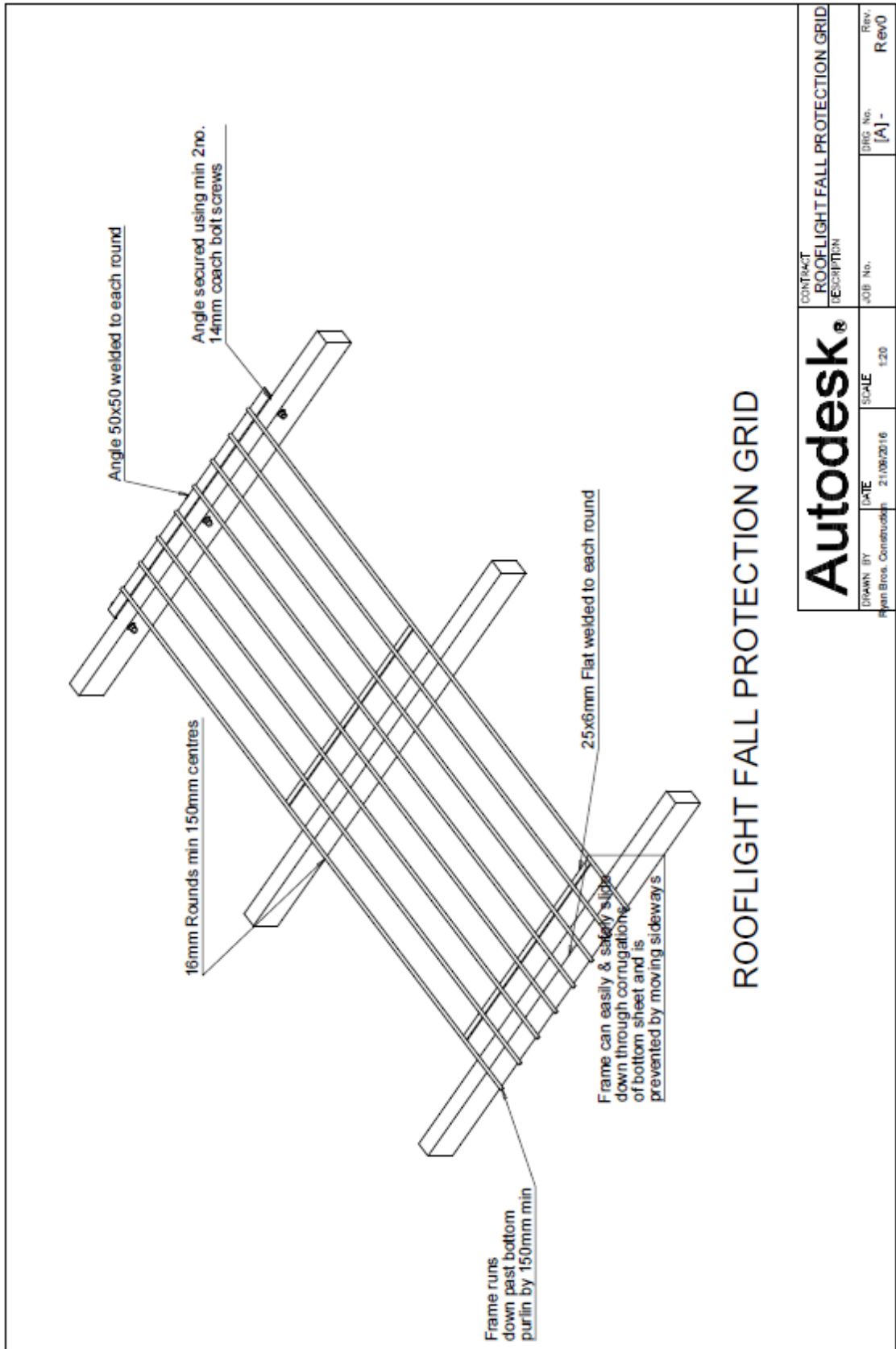
**Manufacturer:** Halcon Steel, Ballymoate Road, Tuam, Co. Galway

The unit is to be fully galvanised. The unit is to be secured using 3No 25mm x 120mm bolts at each purlin.



**Manufacturer:** M & J Ryan Bros. Construction, Clonnav, Ballymacarbry, Co. Waterford

The unit is to be fully galvanised.



<b>Autodesk®</b>		CONTRACT	DRG No.	Rev.
		DESCRIPTION	[A]-	Revo
DRAWN BY	DATE	SCALE	JOB No.	
Ryan Bros. Construction	21/09/2016	1:20		